

THERMAL DYNAMICS®

CUTMASTER™ 1Series™

A THERMADYNE® Company

3 Year
Warranty

CUTMASTER™ 38

Air Plasma Cutting System



3/8" (10mm) Genuine Cut
1/2" (13mm) Maximum Cut
5/8" (16mm) Severance Cut

Setting the Standard in
Performance, Value and Reliability

Includes the New
1Torch™ SL60™!

Setting the Standard in
Performance, Value and Reliability.

CUTMASTER™ 38

Air Plasma Cutting System

Thermal Dynamics® introduces CUTMASTER 38, part of the new CUTMASTER 1Series™ systems, a new standard of excellence to light metal cutting. CUTMASTER 38 combines the reliability and rugged construction of the CUTMASTER power supply design with the new, high performance 1Torch™ plasma torch to create a new standard of performance for the gage to 3/8 inch metal cutting world.

In the Thermal Dynamics tradition of quality and innovation, CUTMASTER 38 offers the features required for high performance plasma cutting.



SPECIFICATIONS

Cut Capacity:	3/8" (10mm) Genuine 1/2" (13mm) Maximum 5/8" (16mm) Severance 1/4" (6mm) Pierce
Output Current:	20 – 30 Amps, Adjustable
Input Power:	120 – 230V, Single Phase, 50/60 Hz, 29 / 17 Amps
Duty Cycle:	35% @ 30A
Dimensions:	Length 21" (533mm) Width 10" (254mm) Height 15.75" (400mm)
Weight:	43 lbs. (19.5 kg) Including Unit, Power Cable, Torch and Leads
Ship Weight:	53 lbs. (24 kg)
Work Cable:	20' (6.1m)

Input Power Cable:	10' (3m) with 20 Amp Plug (120V)
Gas Type:	Air
Gas Pressure:	65 psi (4.6 bar)
Gas Flow:	5 cfm (142 lpm)
Pilot:	Start Cartridge
Control:	Hand Torch Switch

Torch Configuration

Torch:	1Torch SL60™
Hand:	75° Head 20 ft. (6.1m)
Warranty:	Limited Warranty; 3 yrs. Power Supply, 1 yr. Torch
Certifications:	CE, CSA NTRL/C, C-TICK

CUTMASTER 38 – The Next Generation

Rugged Design

Like its big brothers, CUTMASTER 51, 81 and 101, the CUTMASTER 38 is equipped with a rugged case and a protective roll bar to protect the power control components. CUTMASTER 38 is designed to stand up to the most demanding work conditions. Rough handling, metal dust, and shop grime are all part of a day's work for CUTMASTER 38.

Auto Pilot Restart

Auto pilot restart comes standard with all CUTMASTER systems for easy, quick cutting on expanded metal.

Automatic Voltage Selection

CUTMASTER 38 accepts standard 120V or 230V input power without hesitation and automatically switches to link up to the available power input. No switching required by the operator.

Protective Interlock Circuit

A new protective interlock circuit in addition to traditional Parts-in-Place circuitry disables the power supply if the torch consumable parts are incorrectly assembled.

Like all CUTMASTER 1Series systems, CUTMASTER 38 is engineered and tested to the highest standards of safety and reliability for welding and plasma cutting equipment. CUTMASTER 1Series units are designed to stand up to the toughest environments and continue to provide precise, reliable cutting power.

The New Thermal Dynamics 1Torch™ Plasma Torch

The torch is the most important feature of any plasma cutting system. The new 1Torch design brings a new standard of cut quality and durability to light metal cutting.

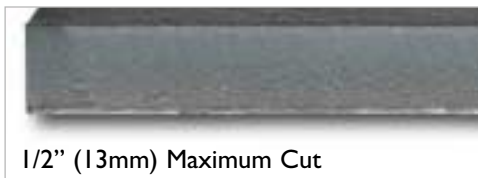
- 1Torch SL60™ handles encapsulate and protect the torch head
- Consumable parts are precisely calibrated for CUTMASTER™ 38 cutting applications
- New protective interlock switch for positive trigger control
- High visibility shield cup for precision cutting, visibility when cutting and beveling
- The SureLok® electrode eliminates tip wobble found in blow-apart torch designs resulting in a cleaner arc and a longer tip life
- Ergonomic torch handle for comfort and control
- Flexible, lightweight leads combine durability with ease of use
- 1 year torch and leads warranty



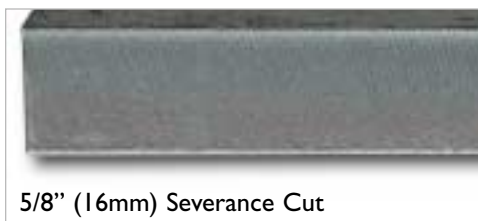
Cut Quality



3/8" (10mm) Genuine Cut



1/2" (13mm) Maximum Cut



5/8" (16mm) Severance Cut

Genuine Cut – With 30 amps of available cutting power, CUTMASTER 38 has plenty of power to quickly and precisely cut 3/8 inch (10mm) steel. Genuine Cut means 10 inches per minute cutting speed, an excellent smooth cut surface, and little or no dross with no need for grinding or rework.

Maximum Cut – CUTMASTER 38 has plenty of power to quickly and smoothly cut through 1/2 inch (13mm) mild steel. This is especially important when the cut requires a clean bevel, or when the cut involves several overlapping pieces of thinner material which have been built up to a thicker material to cut.

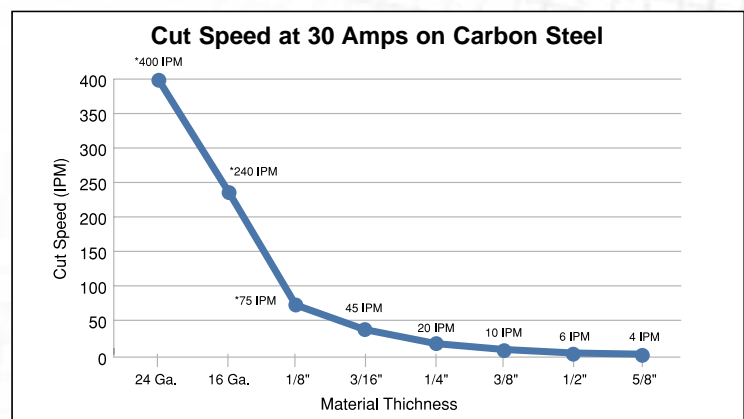
Severance Cut – For the occasional cut on thicker material up to 5/8 inch (16mm), CUTMASTER 38 has the power to get the job done.

Narrow Kerf – The patented SureLok electrode design firmly locks the electrode in place, so the electrode does not wobble as pressurized air passes around it. The result is a precise, well-defined cutting arc that produces an exceptionally clean and narrow cut kerf.

Heat Affected Zone – Faster cutting speeds and a narrow kerf result in less heat introduced into the plate. Minimal heat affected zone and heat distortion mean quicker fit up and better welds for the finished product.

Cut Speed

CUTMASTER 38 delivers excellent cut speeds and unsurpassed cut quality. Mild steel is the standard for measuring cut speed, but CUTMASTER 38 excels on stainless and aluminum also.



See us at www.thermal-dynamics.com for our full line of quality products.

ORDERING INFORMATION

Product Description	Catalog No.
SYSTEMS Systems include power supply, torch and leads, spare parts kit, input power cable, work cable and clamp.	

CUTMASTER 38™ 120/230V
with SL60™ 75° hand torch, 20 ft. (6.1m) leads **1-3820**

CUTMASTER 38™ CE 120/230V
with SL60™ 75° hand torch, 20 ft. (6.1m) leads **1-4620**

ACCESSORIES

Single Stage Air Filter **7-7507**

Leads Extension, 15 ft. (4.6m) **7-7544**

Leads Extension, 25 ft. (7.6m) **7-7545**

Leather Leads Cover



20 ft. (6.1m) **9-1260**

25 ft. (7.6m) **9-1270**

50 ft. (15.2m) **9-1280**

Product Description	Catalog No.
ACCESSORIES (cont.)	

15A / 120V Plug (5-15P) **9-8644**

20A / 120V Receptacle (5-20R) **9-8645**

Straight Line
Cutting Guide **7-8911**



Cutting Guide Kit **7-8910**



Multi-Purpose Cart **7-8888**



Product Description	Catalog No.
SL60 CONSUMABLES / PARTS	

O-Ring **8-3487**

O-Ring **8-3486**

Electrode, MaximumLife[®] **9-8215**

Start Cartridge **9-8213**

Tip, 30A **9-8206**

Shield Cup **9-8218**

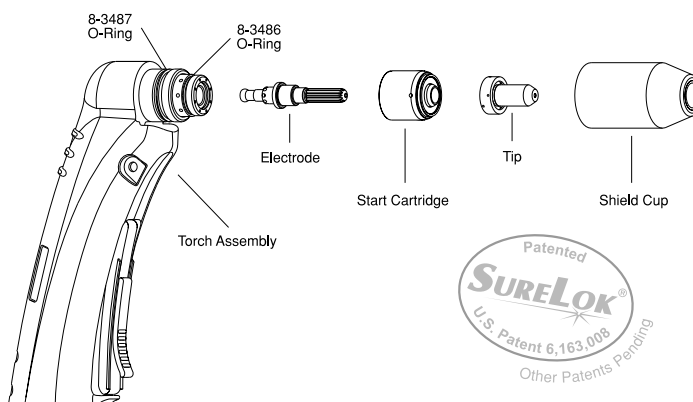
Torch Head, 75° **9-8219**

Standard Spare Parts Kit **5-3820**

Includes three (3) MaximumLife[®] Electrodes,
three (3) Tips and two (2) O-Rings

VIP Spare Parts Kit **5-3821**

Includes fifteen (15) MaximumLife[®] Electrodes,
thirty (30) 30 Amp Cutting Tips, one (1) Start Cartridge,
one (1) Shield Cup and two (2) O-Rings



WORLD HEADQUARTERS: Suite 300, 16052 Swingley Ridge Road • St. Louis, MO 63017 • 636-728-3000



82 Benning Street • West Lebanon, NH 03784
CUSTOMER SERVICE: 800-752-7621 • FAX 800-221-4401

International Customer Service
Oakville, Ontario, Canada
Ph: (1) 905-827-9777
Fax: (1) 905-827-9797

Thermadyne Canada
Oakville, Ontario Canada
Ph: (1) 905-827-1111
Fax: (1) 905-827-3648

Thermadyne Europe
Chorley, England
Ph: (44) 1257-261755
Fax: (44) 1257-224800

Thermadyne Asia Sdn. Bhd.
Kuala Lumpur, Malaysia
Ph: (603) 6092-2988
Fax: (603) 6092-1085

Cigweld Australia
Melbourne, Australia
Ph: (61) 3-9474-7400
Fax: (61) 3-9474-7510

Unique Welding Alloys
Johannesburg, South Africa
Ph: (27) 11-917-3600
Fax: (27) 11-917-8580

Thermadyne Victor Brasil
Rio de Janeiro, Brazil
Ph: (55) 21-2-485-8990
Fax: (55) 21-2-485-8735

Thermadyne Middle East
Dubai, United Arab Emirates
Ph: (971) 4-332-9060
Fax: (971) 4-332-5484

Thermadyne de Mexico
Mexico City, Mexico
Ph: (52) 55-5657-9494
Fax: (52) 55-5648-8805

Thermadyne Japan
Osaka, Japan
Ph: (81) 6-4809-8411
Fax: (81) 6-4809-8412

Thermadyne Chile
Santiago, Chile
Ph: (56) 2-557-2465
Fax: (56) 2-557-5349